



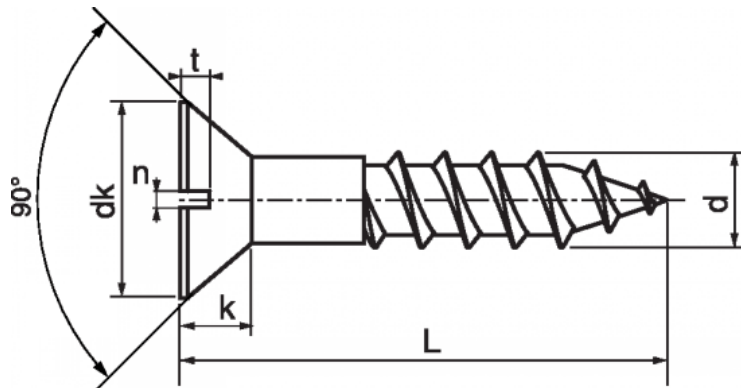
Ratnamani International

(House of Fasteners & Turned Components)

447/1, GIDC, Sanker Tekri, Udyog Nagar, Jamnagar, Gujarat, INDIA

www.ratnamaniinternational.com Email : Info@ratnamaniinternational.com

DIN –97 Slotted CSK Head Wood Screw



Customer Information Sheet (For Reference Only)

Dimensions in MM

Nominal Diameter (d)	Head Diameter (dk)		Head Height (k)	Shank Dia (ds)		Slot Width (n)		Slot Depth (t)	
	Min	Max	Max	Min	Max	Min	Max	Min	Max
1.60	2.70	3.30	0.96	1.20	1.60	0.46	0.60	0.65	0.80
2.00	3.43	4.18	1.20	1.60	2.00	0.56	0.70	0.80	1.00
2.50	4.33	5.08	1.50	2.10	2.50	0.66	0.80	1.00	1.20
3.00	5.23	5.98	1.65	2.60	3.00	0.86	1.00	1.20	1.45
3.50	6.05	6.95	1.93	3.02	3.50	0.86	1.00	1.40	1.70
4.00	7.05	7.95	2.20	3.52	4.00	1.06	1.20	1.60	1.90
4.50	7.85	8.75	2.35	4.02	4.50	1.06	1.20	1.80	2.10
5.00	8.75	9.65	2.50	4.52	5.00	1.26	1.51	2.00	2.30
5.50	9.65	10.75	2.75	5.02	5.50	1.26	1.51	2.20	2.50
6.00	10.45	11.55	3.00	5.52	6.00	1.66	1.91	2.40	2.80
7.00	11.95	13.05	3.50	6.42	7.00	2.06	2.31	2.80	3.20
8.00	13.95	15.05	4.00	7.42	8.00	2.06	2.31	3.20	3.70
10.00	18.55	17.45	5.00	9.42	10.00	2.56	2.81	2.00	2.60