



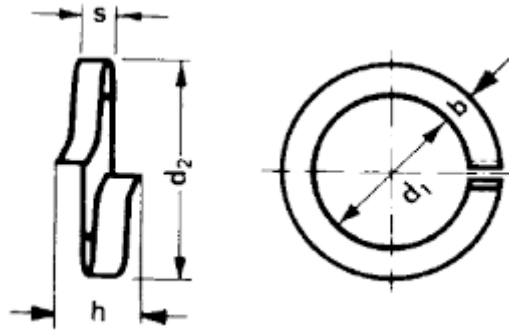
RATNAMANI INTERNATIONAL

(House of Fasteners & Turned Components)

447/1, GIDC, Sanker Tekri, Udyog Nagar, Jamnagar, Gujarat, INDIA

www.ratnamaniinternational.com Email : Info@ratnamaniinternational.com

DIN – 127 Spring Lock Washers with Square End



Customer Information Sheet (For Reference Only)

Dimensions in MM

Nominal Dia	Hole Diameter (d1)		(b)		(s)		(h)	
	Min	Max	Nom	Tol.	Nom.	Tol.	Max	Min
2MM	2.1	2.4	0.9	+ - (0.10)	0.50	+ - (0.10)	1.00	1.20
2.5MM	2.60	2.90	1.00		0.60		1.20	1.40
3MM	3.10	3.40	1.30		0.80		1.60	1.90
3.5MM	3.60	3.90	1.30		0.55		1.60	1.90
4MM	4.10	4.40	1.50		0.90		1.80	2.10
5MM	5.10	5.40	1.80		1.10		2.40	2.80
6MM	6.10	6.50	2.50	+ - (0.15)	1.80	+ - (0.15)	3.20	3.80
7MM	7.10	7.50	2.50		1.80		3.20	3.80
8MM	8.10	8.50	3.00		1.80		4.00	4.70
10MM	10.20	10.70	3.50	+ - (0.20)	2.20	+ - (0.15)	4.40	5.20
12MM	12.20	12.70	4.00		2.70		5.00	5.90
14MM	14.20	15.27	4.50		2.70		6.00	7.10
16MM	16.20	17.00	5.00		3.30	+ - (0.20)	7.00	8.30
18MM	18.20	19.00	5.00		3.30		7.00	8.30
20MM	20.20	21.20	6.00		3.30		8.00	9.40