



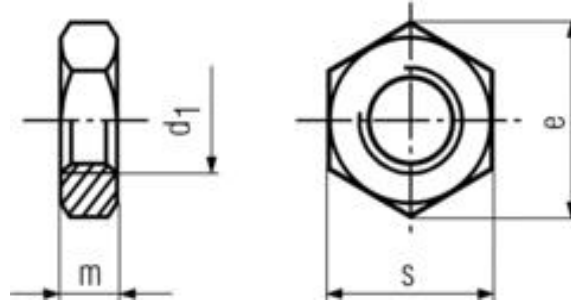
RATNAMANI INTERNATIONAL

(House of Fasteners & Turned Components)

447/1, GIDC, Sanker Tekri, Udyog Nagar, Jamnagar, Gujarat, INDIA

www.ratnamaniinternational.com Email : Info@ratnamaniinternational.com

DIN – 439 Hex Thin Nut



Customer Information Sheet (For Reference Only)

Dimensions in MM

| Nominal Dia | Pitch | Across Flat (s) | | A/C (e) | Thickness (m) | |
|-------------|----------------|-----------------|-------|---------|---------------|-------|
| | | Min | Max | Min | Min | Max |
| 2MM | 0.40 | 3.82 | 4.00 | 4.32 | 0.95 | 1.20 |
| 2.5MM | 0.45 | 4.82 | 5.00 | 5.45 | 1.35 | 1.60 |
| 3MM | 0.50 | 5.32 | 5.50 | 6.01 | 1.55 | 1.80 |
| 3.5MM | 0.60 | 5.82 | 6.00 | 6.58 | 1.75 | 2.00 |
| 4MM | 0.70 | 6.78 | 7.00 | 7.66 | 1.95 | 2.20 |
| 5MM | 0.80 | 7.78 | 8.00 | 8.79 | 2.45 | 2.70 |
| 6MM | 1.00 | 9.78 | 10.00 | 11.05 | 2.90 | 3.20 |
| 8MM | 1.00/1.25 | 12.73 | 13.00 | 14.38 | 3.70 | 4.00 |
| 10MM | 1.00/1.25/1.50 | 16.73 | 17.00 | 18.90 | 4.70 | 5.00 |
| 12MM | 1.25/1.50/1.75 | 18.67 | 19.00 | 21.10 | 5.70 | 6.00 |
| 14MM | 1.50/2.00 | 21.67 | 22.00 | 24.49 | 6.42 | 7.00 |
| 16MM | 1.50/2.00 | 23.67 | 24.00 | 26.75 | 7.42 | 8.00 |
| 18MM | 1.50/2.00/2.50 | 26.16 | 27.00 | 29.56 | 8.42 | 9.00 |
| 20MM | 1.50/2.00/2.50 | 29.16 | 30.00 | 32.95 | 9.10 | 10.00 |