

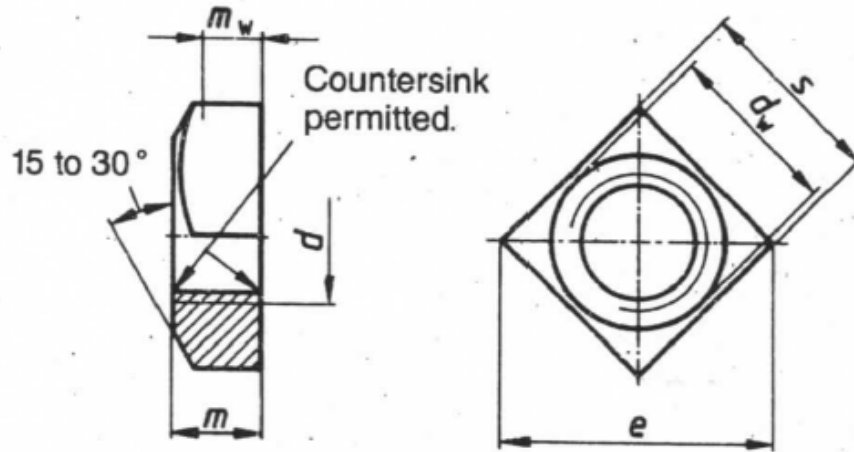


RATNAMANI INTERNATIONAL

(House of Fasteners & Turned Components)

447/1, GIDC, Sanker Tekri, Udyog Nagar, Jamnagar, Gujarat, INDIA
www.ratnamaniinternational.com Email : Info@ratnamaniinternational.com

DIN – 557 Square Nuts



Customer Information Sheet (For Reference Only)

Dimensions in MM

Nominal Dia	Pitch	Square (s)		Corners (e)		Thickness (m)		(dw)
		Min	Max	Min	Max	Min	Min	Max
5MM	0.80	7.64	8.00	9.93	11.30	3.52	4.00	6.70
6MM	1.00	9.64	10.00	12.53	14.10	4.52	5.00	8.70
8MM	1.25	12.57	13.00	16.34	18.40	5.92	6.50	11.50
10MM	1.50	15.57/16.00	16.00/17.00	20.24/24.54	22.60/24.00	7.42	8.00	14.50/15.50
12MM	1.75	17.57/18.48	18.00/19.00	22.84/24.02	25.40/26.90	9.42	10.00	16.50/17.20
16MM	2.00	23.16	24.00	30.11	33.90	12.30	13.00	22.00