



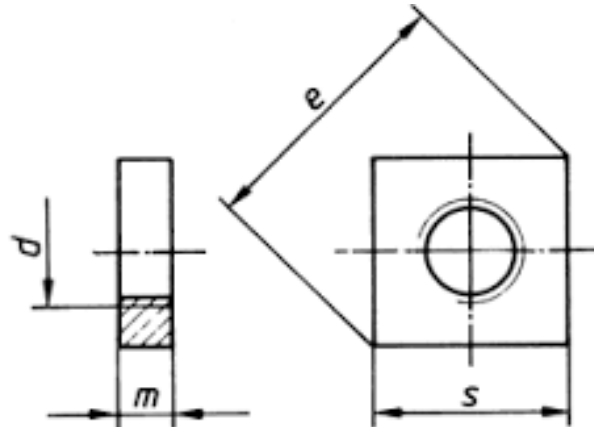
RATNAMANI INTERNATIONAL

(House of Fasteners & Turned Components)

447/1, GIDC, Sanker Tekri, Udyog Nagar, Jamnagar, Gujarat, INDIA

www.ratnamaniinternational.com Email : Info@ratnamaniinternational.com

DIN – 562 Square Thin Nuts



Customer Information Sheet (For Reference Only)

Dimensions in MM

Nominal Dia	Pitch	Square (s)		Corners (e)	Thickness (m)	
		Min	Max		Min	Min
M2	0.40	3.70	4.00	5.00	0.80	1.20
M2.5	0.45	4.70	5.00	6.30	1.20	1.60
M3	0.50	5.20	5.50	7.00	1.40	1.80
M3.5	0.60	5.70	6.00	7.60	1.60	2.00
M4	0.70	6.64	7.00	8.90	1.80	2.20
5MM	0.80	7.64	8.00	10.20	2.30	2.70
6MM	1.00	9.64	10.00	12.70	2.72	3.20
8MM	1.25	12.57	13.00	16.50	3.52	4.00
10MM	1.50	15.57/16.00	16.00/17.00	20.20	4.52	5.00