

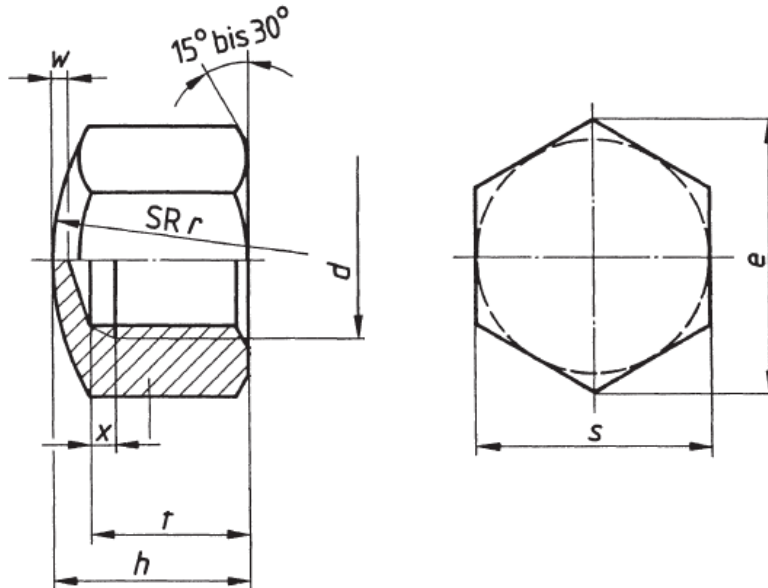


RATNAMANI INTERNATIONAL

(House of Fasteners & Turned Components)

447/1, GIDC, Sanker Tekri, Udyog Nagar, Jamnagar, Gujarat, INDIA
www.ratnamaniinternational.com Email : Info@ratnamaniinternational.com

DIN – 917 Hex Cap Nuts



Customer Information Sheet (For Reference Only)

Dimensions in MM

Nominal Dia	Pitch	Across Flat (s)		A/C (e)	Height (h)		(t)		(w)
		Min	Min	Min	Min	Max	Min	Max	Min
4MM	0.70	6.78	7.66	7.66	5.20	5.50	4.16	4.64	1.00
5MM	0.80	7.78	8.79	8.79	6.64	7.00	4.96	5.44	1.00
6MM	1.00	9.78	11.05	11.05	8.64	9.00	6.71	7.29	1.50
8MM	1.25	12.73	14.38	14.38	11.57	12.00	9.21	9.79	2.00
10MM	1.50	16.73	18.90	18.90	13.57	16.00	10.65	11.35	2.00
12MM	1.75	18.67	21.10	21.10	15.57	20.00	13.15	13.85	2.00
14MM	2.00	21.67	24.49	24.49	17.57	18.00	14.65	15.35	2.00
16MM	2.00	23.67	26.75	26.75	19.48	20.00	16.65	17.35	2.00
18MM	2.50	26.16	29.56	29.56	21.48	22.00	18.58	19.42	2.00
20MM	2.50	29.16	32.95	32.95	24.48	25.00	20.58	21.42	2.50